

CALMA 120 TC

HITZE
PRODUCER OF FIREPLACES

B ENERGY CLASS

GAS FIREPLACE INSERT

BASIC PRODUCT INFORMATION



- CALMA fireplaces work with different types of gas (G20, G27, G30, G31), offering flexibility of use.
- Designed to work with POUJOLAT air-flue systems, they provide safe flue gas extraction.
- They offer three installation options (through the wall, roof, existing chimney), increasing their installation versatility.
- The raised glazing of the CALMA fireplaces provides an extended vision of the fire and interior elegance.
- Easy remote control operation and collaboration with smart home systems for convenience of use.
- High quality, certification and compliance with the Ecodesign 2022 Directive guarantee reliability and environmental compatibility.

Fuel type	High-methane natural gas, nitrogenated natural gas, propane-butane gas mixture, propane gas
Rated power [kW]	17,6
Power range [kW]	10,6 – 17,6
Clear glass height [mm]	485
Chimney system [mm].	200/130
Control valve	Maxitrol GV60 or Anstoss TESCO1
Weight [kg]	194 - 205

UP TO **8** years
WARRANTY

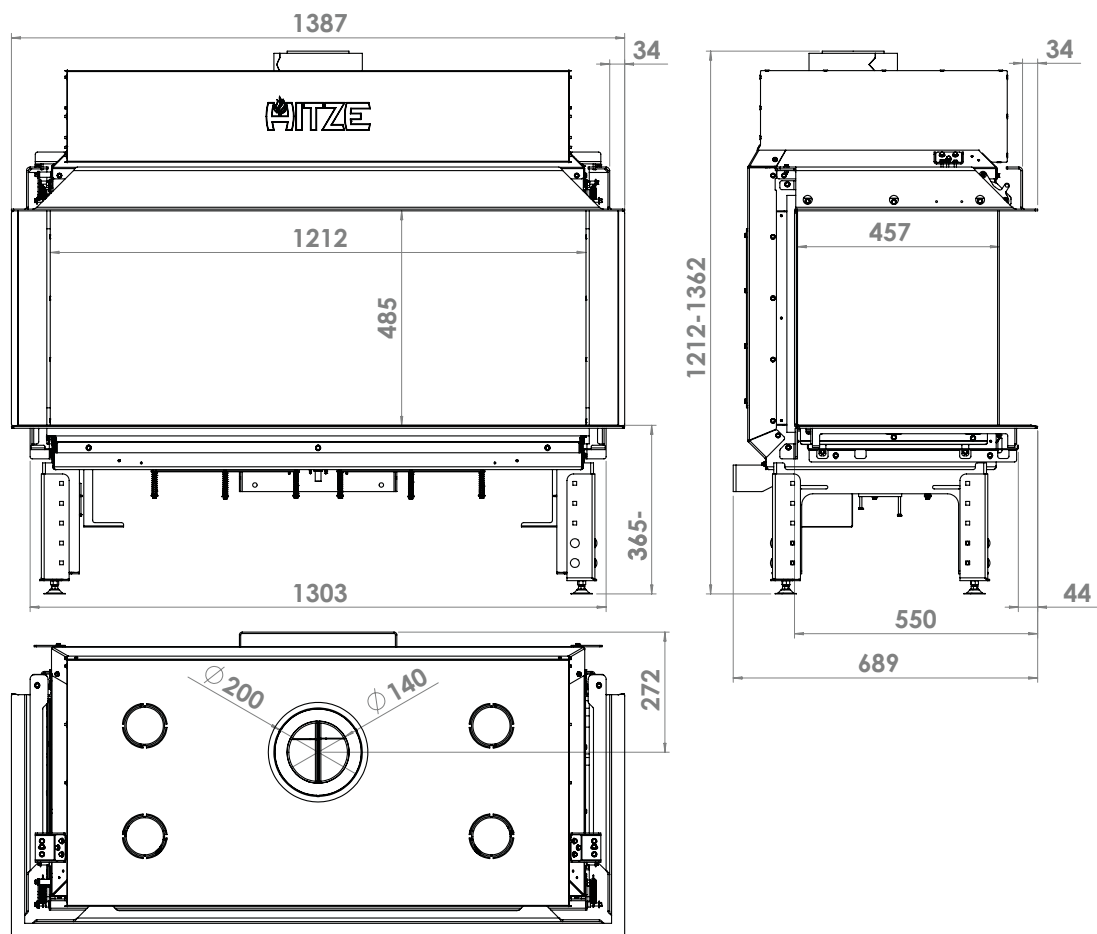
 SAFETY
LAB CERTIFICATE
KIWA

 FIREPLACE
FOR RECUPERATION

 ELEGANT
DESIGN



120TC



CALMA

120TC